

1

2

3

4

A

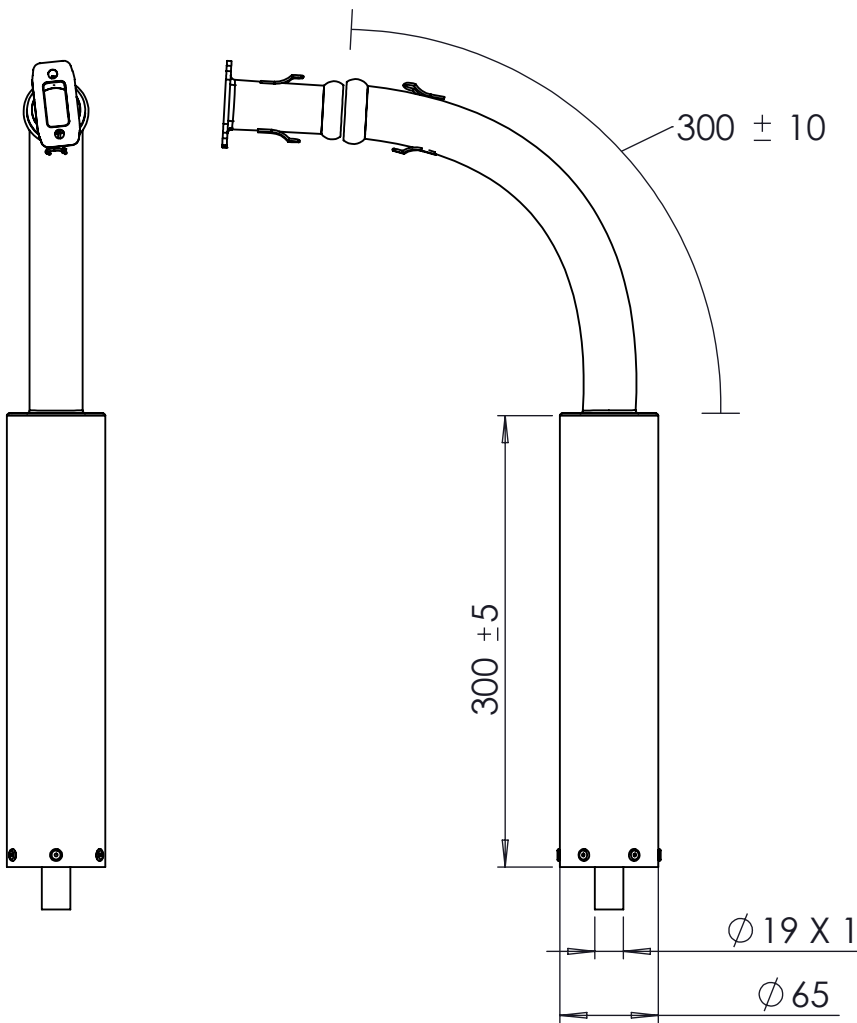
B

C

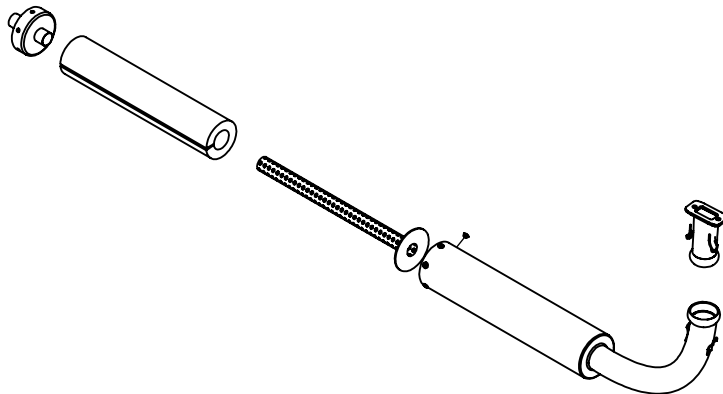
D

E

F



This document and its contents are the exclusive property of Radne Motor AB and must not be copied, reproduced, transmitted or communicated to any other party or used for purposes not expressly permitted by us.



**Radne Motor AB**  
 Markörgatan 2,  
 136 44 Handen Sweden  
 +46-8-556 506 90  
 info@radne.se

Designed by		Date	
Drawn by		Date	
Approved by		Date	
Weight	Material	Thickness	
<b>Kg</b>		<b>t=</b>	
Status		Tolerance	
Scale	Format	Sheet/Sheet	Rev Part
<b>1:10</b>	<b>A4</b>	<b>1/1</b>	

Title/Description		☰ ⊕	
Silencer Long 60		Ljuddämpare Lång 60	
Drawing no	Rev		
<b>414010</b>	<b>0</b>		