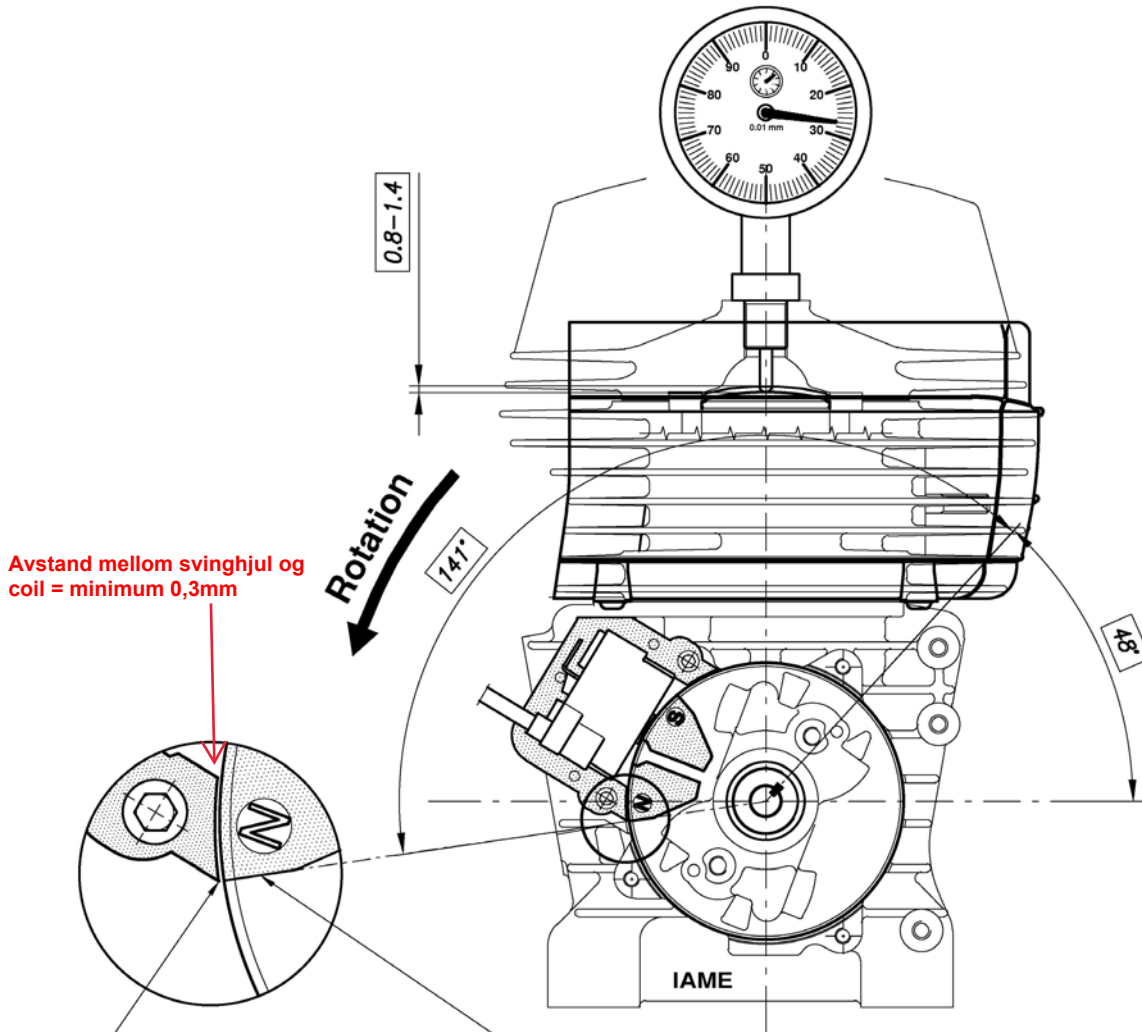
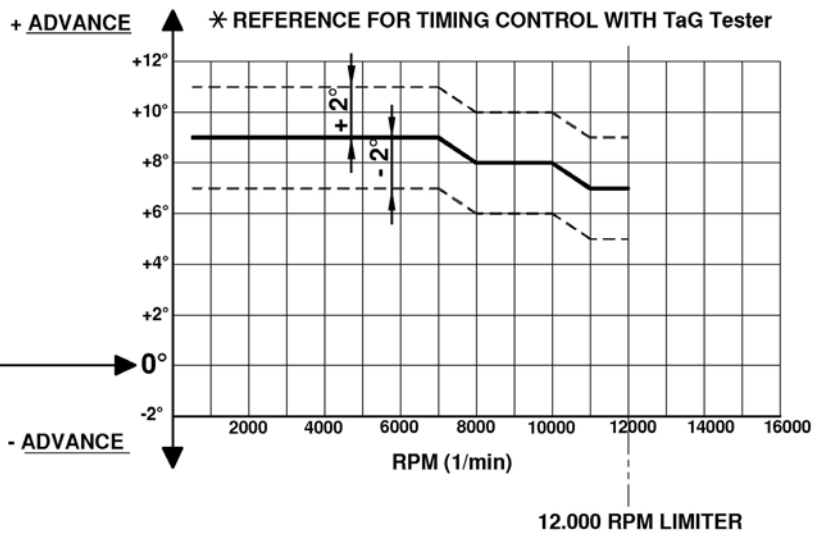


SCHEME FOR ADVANCE CONTROL – CADETTI CLASS



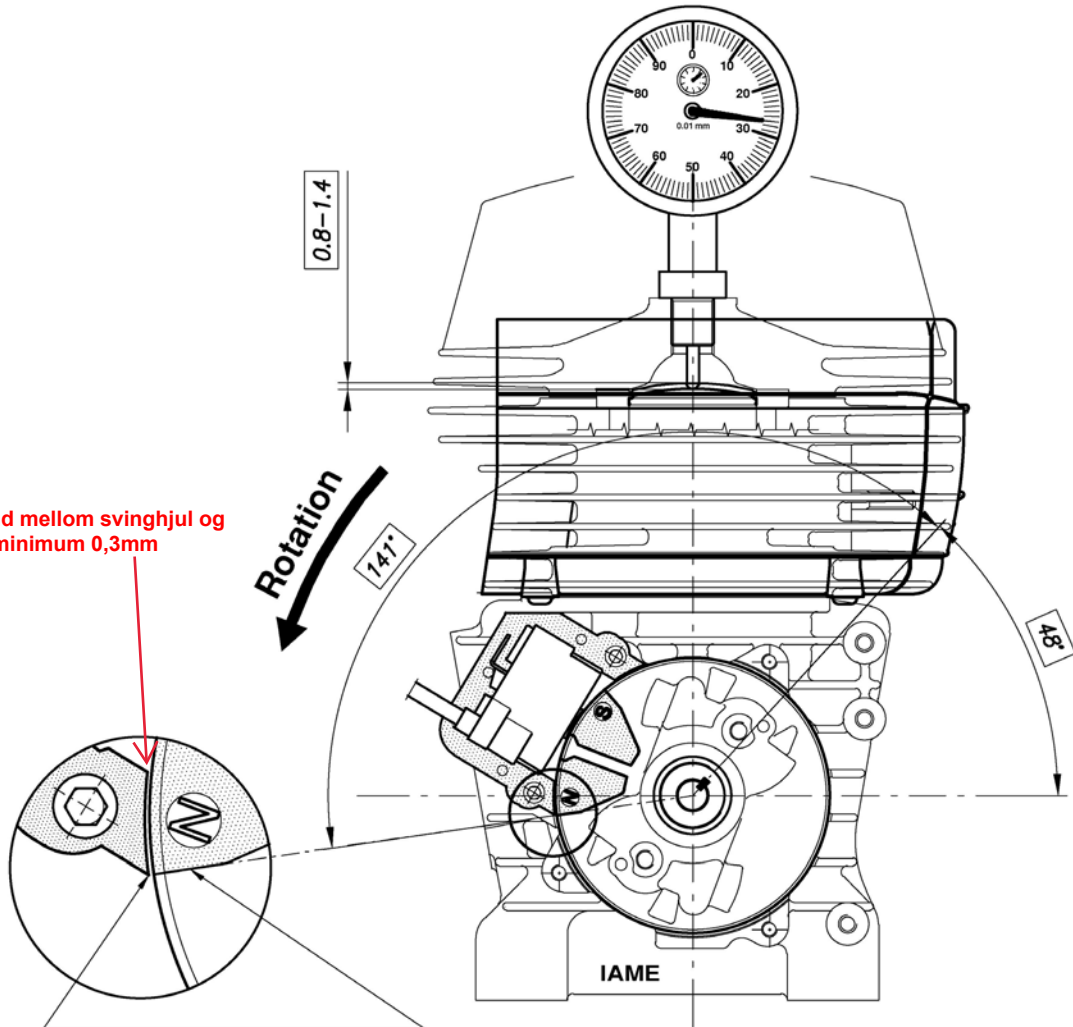
* ALIGN THE ROTOR MAGNETO END ON THE IGNITION COIL END AS SHOWN.

ADVANCE CURVE GRAPHS



SCHEME FOR ADVANCE CONTROL – MINI CLASS

Avstand mellom svinghjul og coil = minimum 0,3mm



* ALIGN THE ROTOR MAGNETO END ON THE IGNITION COIL END AS SHOWN.

ADVANCE CURVE GRAPHS

